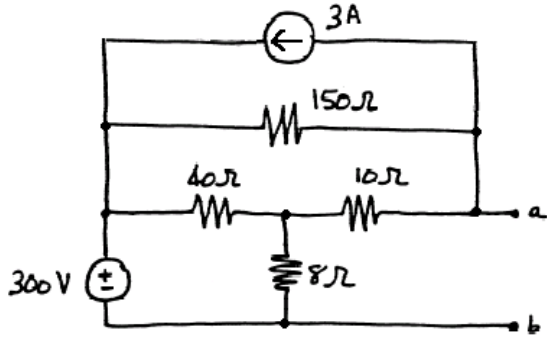


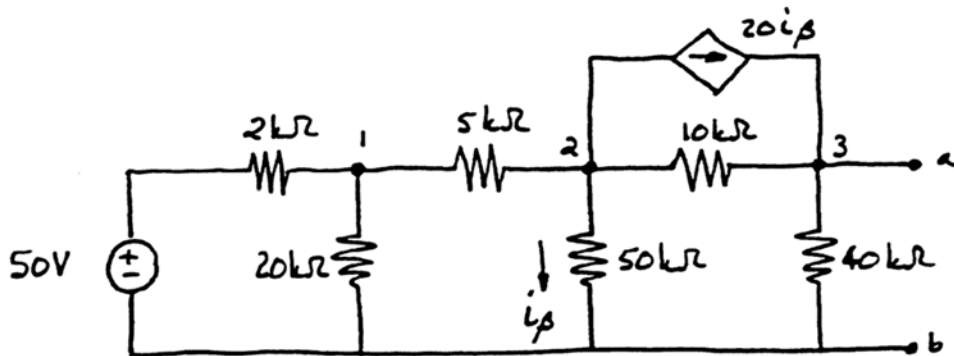
EECE499 - HOMEWORK #3

Due (F) Feb 25

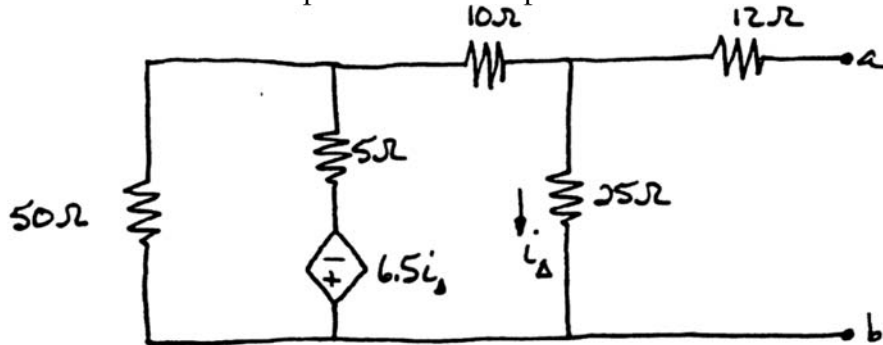
1. Find the Thevenin equivalent with respect to the terminals a and b for the circuit below.



2. Find the Thevenin equivalent with respect to the terminals a and b for the circuit below.



3. Find the Thevenin equivalent with respect to the terminals a and b for the circuit below.



4. Find the Thevenin equivalent with respect to the terminals a and b for the circuit below.

